

Cube Ice Machines up to 39 kg



Features

Reliability

Corrosion resistant exterior

Ease of Use

Slide back door allows easy access to ice in the bin

Intuitive control panel allows for quick and easy operation

Ice scoop included

Compact Design

Only 20" wide, the ice maker can be placed in the tightest locations

Optional floor mount kit allows for installation under 34" ADA counter tops

High Production

Produces up to 39 kg per day and stores 26 kg, meeting the ice demands for many different applications.

Quality Ice

Unique evaporator produces crystal clear cubes.

Environmentally Friendly

Low energy consumption.

Non-ozone depleting R134a refrigerant.

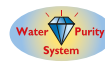
Intuitive Controls



Clear Cube Evaporator Technology



Technologies



	+C° -C°	21°C : 10°C	32°C : 21°C
		[kg] [lb] N° *	[kg] [lb] N° *
CU 920 MA		39 85 3900	36 80 3600

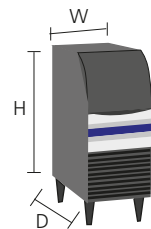
*Estimate number of cubes.



[V/Hz/ph]
220-240/50/1



R134a



This product qualifies for the following listings:



10 g
Medium Cube
22 x 22 x 22 mm
7/8" x 7/8" x 7/8"

Large and slowmelting ice form, ideal for beverages.

[WxDxH mm]
533 x 676 x 940
[WxDxH inches]
21" x 26" x 37"

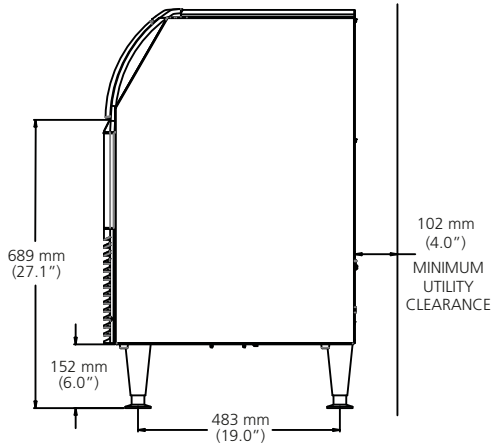
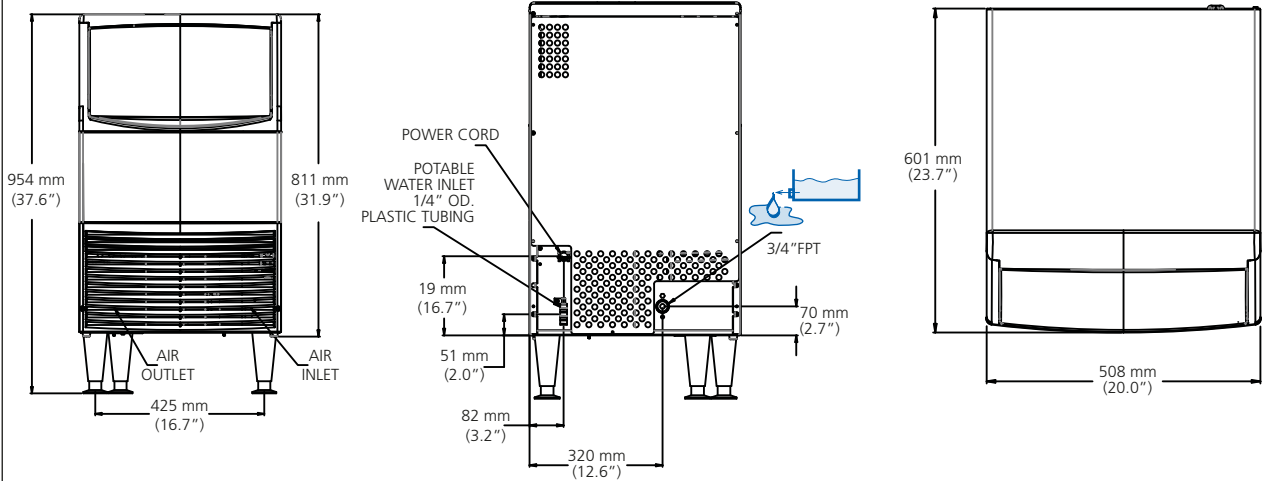
2 Years Warranty

Subject to certain limitations and exclusions

Certified ISO 9001:2008

www.scotsman-ice.it
www.scotsman-ice.com

Cube Ice Machines up to 39 kg



Minimum	Maximum
10°C (50°F)	43°C (110°F)
5°C (40°F)	35°C (95°F)
-10%	+10%
1 bar 14 psi	5 bar 70 psi

	+C° -C°	[Btu/h] [W]	[Ømm ²]	[W]	FUZE	100 kg [kWh] - 100 kg	[l/h]	32°C 90°F 21°C 70°F	[kg] [lb]
CU 0920 MA	✦	3400 1000	3 x 1,5	400	15 A	11	4,4 1,2		52 115

IMPORTANT NOTICE:
Models and specifications are subject to change without notice.
This spec sheet is meant for commercial purpose only.
For technical documentation please refer to our service manuals.

www.scotsman-ice.it
www.scotsman-ice.com