

## Cube Ice Machines up to 23 kg



### Features

#### Reliability

Corrosion resistant exterior

#### Ease of Use

Slide back door allows easy access to ice in the bin

Intuitive control panel allows for quick and easy operation

Ice scoop included

#### Compact Design

Only 15" wide, the ice maker can be placed in the tightest locations

Optional floor mount kit allows for installation under 34" ADA counter tops

#### High Production

Produces up to 23 kg per day and stores 16 kg, meeting the ice demands for many different applications.

#### Quality Ice

Unique evaporator produces crystal clear cubes.

#### Environmentally Friendly

Low energy consumption.

Non-ozone depleting R134a refrigerant.

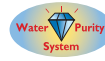
Intuitive Controls



Clear Cube Evaporator Technology



### Technologies



	+C° -C°	21°C : 10°C	32°C : 21°C
		[kg] [lb] N°	[kg] [lb] N°
CU 415 MA		23 50 2300	17 38 1700

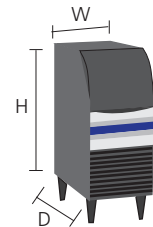
\*Estimate number of cubes.



[V/Hz/ph]  
220-240/50/1



R134a



This product qualifies for the following listings:



10 g  
Medium Cube  
22 x 22 x 22 mm  
7/8" x 7/8" x 7/8"

Large and slowmelting ice form, ideal for beverages.

[WxDxH mm]  
381 x 610 x 965  
[WxDxH inches]  
15" x 24" x 38"

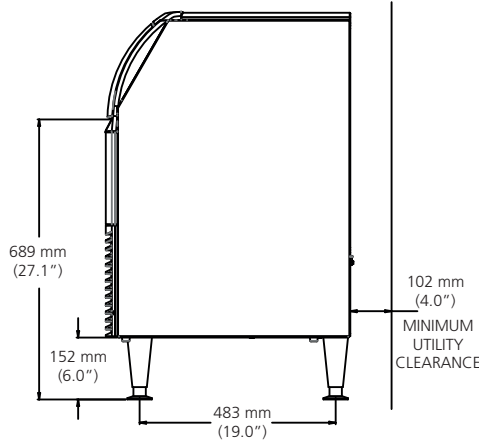
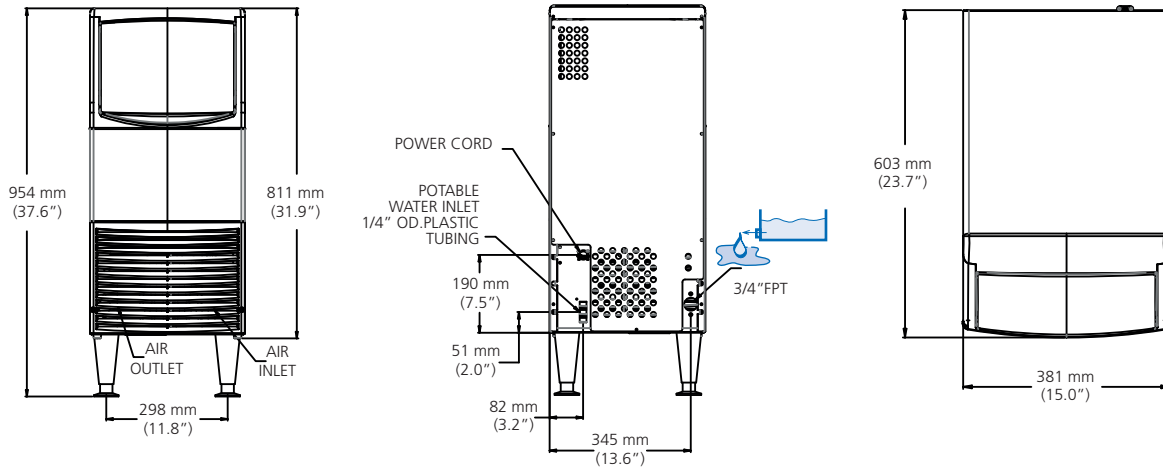
**2** Years Warranty

Subject to certain limitations and exclusions

Certified ISO 9001:2008

[www.scotsman-ice.it](http://www.scotsman-ice.it)  
[www.scotsman-ice.com](http://www.scotsman-ice.com)

## Cube Ice Machines up to 23 kg



Minimum		Maximum
10°C (50°F)		43°C (110°F)
5°C (40°F)		35°C (95°F)
-10%		+10%
1 bar 14 psi		5 bar 70 psi

	+C° -C°	[Btu/h] [W]	[Ømm²]	[W]	FUSE	[kWh] - 100 kg	[l/h]	32°C 90°F 21°C 70°F	[kg] [lb]
CU 0415 MA		1300 370	3 x 1,5	205	15 A	12	2,5 0,7		46 102

**IMPORTANT NOTICE:**  
Models and specifications are subject to change without notice. This spec sheet is meant for commercial purpose only. For technical documentation please refer to our service manuals.

[www.scotsman-ice.it](http://www.scotsman-ice.it)  
[www.scotsman-ice.com](http://www.scotsman-ice.com)